

# Sigen PV (50–125)M1 Series Installation Guide

Version: Draft B  
Release date: 2024-12-27



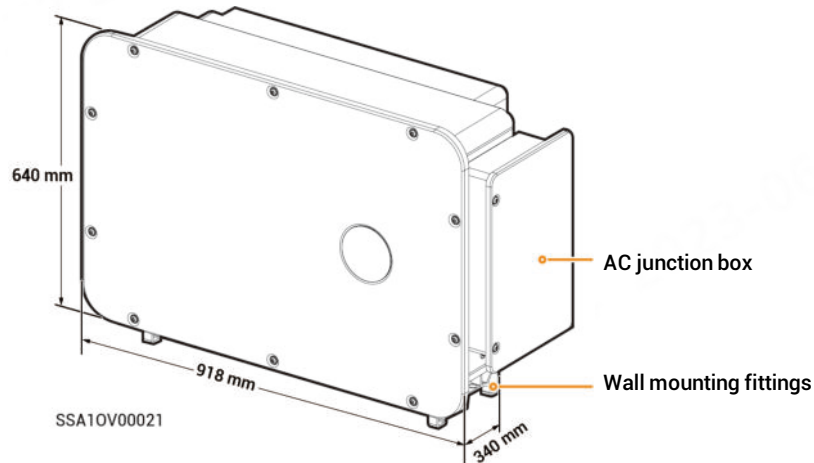
## Caution

- Trained or experienced electrical personnel are required to operate the equipment.
- Operators should be familiar with national and local laws, regulations, and standards, and the compositions and operating principles of relevant systems.
- Please read carefully the operating requirements and precautions in this document and "Important Notice" before operating. Failure to do so may result in damage to the equipment that is not covered by the warranty.

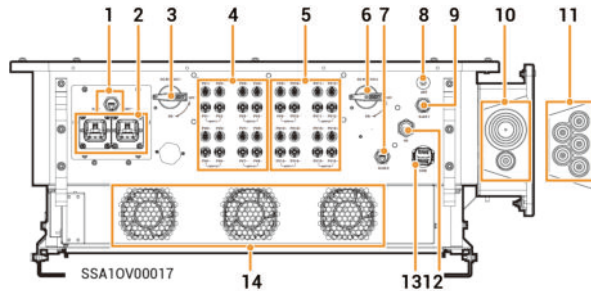
## 1 Product Introduction

---

### 1.1 Appearance and Dimensions



## 1.2 Port Descriptions



S/N	Name	Marking
1	SigenStack network interface (only available in hybrid models and PCS models)	RJ45 3
2	SigenStack DC cable interface (only available in hybrid models and PCS models)	BAT+/BAT-
3	DC switch 1	DC SWITCH 1
4	DC input terminal group 1 (Controlled by DC SWITCH 1)	PV1 to PV8
5	DC input terminal group 2 (Controlled by DC SWITCH 2)	PV9 to PV16
6	DC switch 2	DC SWITCH 2
7	Network interface	RJ45 2
8	Antenna interface	ANT
9	Network interface	RJ45 1
10	Routing hole for multi-core cable	-
11	Routing hole for single-core cable	-
12	Sigen CommMod interface	4G
13	Communication interface	COM
14	Cooling fan	-

## 2 Pre-installation Check

- Check whether the components are entirely supplied against the packing list and whether the appearance is in good condition. For any problem, contact your sales representative.
- Parts and accessories supplied with the packing box are personal assets of the owner and must not be taken away from the installation site.
- Check personal protective equipment and installation tools to ensure that they are complete; if not, please make them up.
- Check and ensure the completeness of personal protective equipment and installation tools; replenish if necessary.

### Protective equipment



Safety hat



Goggles



Dust mask



Protective gloves



Insulating gloves



Insulating shoes

### Installation tool



Power drill



Heat gun



Wire cutter



Crimp tool



Crimping pliers



Wire stripper



Scissors



Cable tie



Heat shrinkable sleeve



Insulation sleeve set



Torque socket wrench



Marker



Rubber mallet



Insulated Torx L-shaped Wrench (T-30)



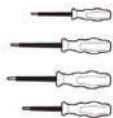
Tape measure



Level



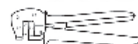
Vacuum cleaner



Insulation screwdriver set



Open-end wrench  
(model: PV-MS  
Manufacturer: Staubli)



Crimping pliers  
(model: PV-CZM-22100  
Manufacturer: Staubli)



Fire-proof sealant



Utility knife

## Installer-provided cable

### Caution

- The specifications of the Installer-provided cable must comply with the cable regulations and standards of the country or region standards.
- L1, L2, L3, N and PE should be connected to other equipment in sequence without mixing.

S is the cross-sectional area of the AC cable conductor, and Sp is the cross-sectional area of the protective ground cable conductor.

No.	Cable name	Type				Recommended specification
1	Protective grounding cable	Outdoors single-core copper flexible cable				Cross-sectional area of cables: $S_p \geq S/2$
2	AC output cable (multi-core)	Ground Connection Location	Availability of N Line	Recommended Cable	OT/DT Terminal Specifications	Cross-sectional area of conductor: <ul style="list-style-type: none"> <li>• Copper core cables:               <ul style="list-style-type: none"> <li>– S: 70 mm<sup>2</sup> to 240 mm<sup>2</sup></li> <li>– <math>S_p \geq S/2</math></li> </ul> </li> <li>• Aluminum alloy cables or copper-clad aluminum cables:               <ul style="list-style-type: none"> <li>– S: 95 mm<sup>2</sup> to 240 mm<sup>2</sup></li> <li>– <math>S_p \geq S/2</math></li> </ul> </li> </ul> Cable OD: 24 mm to 66 mm
		Chassis casing	Without N line	Outdoors three-core (L1, L2, L3) cable	L1, L2, L3 line: M12	
		Inside AC protective door	Without N line	Outdoors four-core (L1, L2, L3, PE) cable	L1, L2, L3 line: M12 PE wire: M10	
		Chassis casing	With N line	Outdoors four-core (L1, L2, L3, N) cable	L1, L2, L3, N line: M12	
		Inside AC protective door	With N line	Outdoors five-core (L1, L2, L3, N, PE) cable	L1, L2, L3, N line: M12 PE wire: M10	
3	AC output cable (single-core)	Outdoors single-core cables and M12 OT/DT terminals are recommended.				Cross-sectional area of conductor: <ul style="list-style-type: none"> <li>• Copper core cables:               <ul style="list-style-type: none"> <li>– S: 70 mm<sup>2</sup> to 240 mm<sup>2</sup></li> </ul> </li> <li>• Aluminum alloy cables or copper-clad aluminum cables:               <ul style="list-style-type: none"> <li>– S: 95 mm<sup>2</sup> to 240 mm<sup>2</sup></li> <li>– <math>S_p \geq S/2</math></li> </ul> </li> </ul> Cable OD: 14 mm to 32 mm

S/N	Cable name	Recommended specifications
4	(Optional) Power cable between inverter/PCS and BC-BST/BC <sup>[1]</sup>	Outdoor single-core copper cable (It is suggested to use corrugated stainless steel tubing or galvanized steel cable trays.If bending is necessary, you can add a chamfer at the bends of the galvanized steel cable tray.) Cross-sectional area of cable: 50 mm <sup>2</sup> to 70 mm <sup>2</sup> Cable OD: 11 mm to 22 mm Single cable length: ≤ 25 m
5	(Optional) Signal cable between inverter/PCS and BC-BST/BC <sup>[1]</sup>	Outdoor eight-core shielded twisted pair, EIA/TIA 568B standard network cable (It is suggested to use corrugated stainless steel tubing or galvanized steel cable trays.If bending is necessary, you can add a chamfer at the bends of the galvanized steel cable tray.) Cross-sectional area of conductor: 0.13 mm <sup>2</sup> to 0.2 mm <sup>2</sup> Cable OD: 4 mm to 7.5 mm Single cable length: ≤ 25 m <sup>[2]</sup>
6	Signal cable	Outdoor two-core shielded twisted pair Cross-sectional area of core conductor: 0.5–0.75 mm <sup>2</sup> (multi-core flexible conductor, Tubular terminal needed) 0.5–1 mm <sup>2</sup> (single-strand hard conductor, no tubular terminal needed) Outer diameter: 4.5–6.5 mm Cable length: ≤ 1000 m Baud rate: ≤ 9600 bps
7	RJ45 network cable	Outdoor eight-conductor shielded twin-twisted pair cable Cross-sectional area of conductor: 0.13–0.2 mm <sup>2</sup> Cable OD: 4–7.5 mm Single cable length: ≤ 100 m <sup>[2]</sup>
8	DC cable	Outdoor photovoltaic cable Cross-sectional area of core conductor: 4–6 mm <sup>2</sup> Outer diameter: 5.9–8.8 mm

Note [1]: If the inverter has an energy storage port and is configured with SigenStack, you will need to purchase this cable. If SigenStack is not configured, purchasing this cable is not required.

Note [2]: The cable length should be limited for good communication. Too long cable degrades the communication effect.

## Tips

Recommended specifications for cables connecting power sensors to Distribution panel and to the grid, as well as step-by-step instructions for wiring, can be found in the accompanying documentation for each respective model.

## 3 Site Selection Requirements

### Tips

- Before installing the equipment, please be sure to carefully read the following installation requirements. The company will not be liable for any functional abnormalities or damages arising from the operation of the equipment if the installation requirements are not followed, even in cases leading to personal safety incidents.
- During actual installation, the selection of installation location should comply with local firefighting, environmental protection regulations, and other relevant laws. The specific installation location planning should be subject to the installer or engineering, procurement, and construction (EPC) contracts.

#### Installation environment

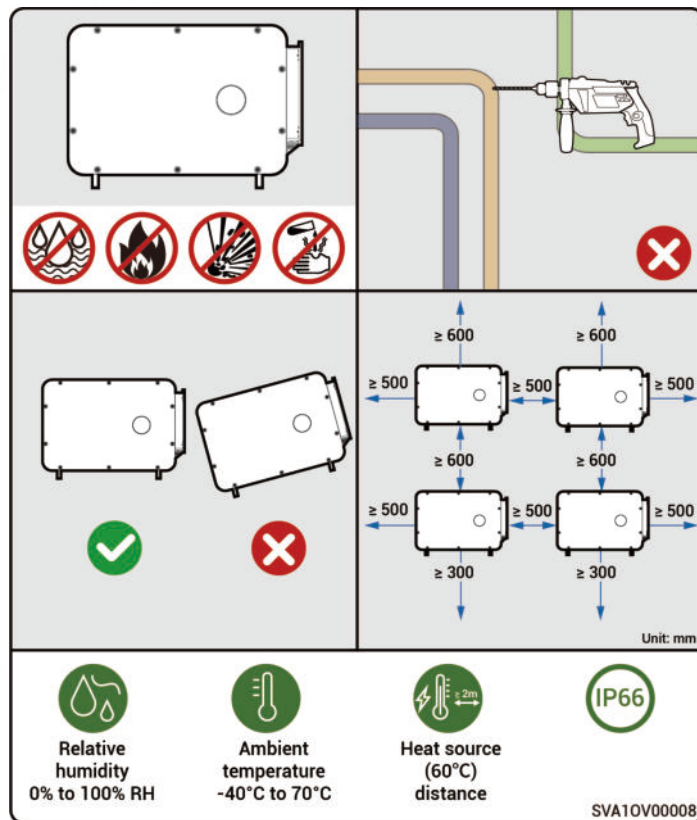
- Do not install the equipment in smoky, flammable, or explosive environments.
- Avoid exposing the equipment to direct sunlight, rain, standing water, snow, or dust. Install the equipment in a sheltered place. Take preventive measures in operating areas prone to natural disasters such as floods, mudslides, earthquakes, and typhoons.
- Do not install the equipment in an environment with strong electromagnetic interference.
- Ensure that the temperature and humidity of the installation environment comply with the equipment's requirements.
- The equipment should be installed in an area that is at least 500 m away from corrosion sources that may result in salt damage or acid damage (corrosion sources include but are not limited to seaside, thermal power plants, chemical plants, smelters, coal plants, rubber plants, and electroplating plants).

#### Installation position

- Do not tilt or overturn the equipment to ensure that it is installed horizontally.
- Do not install the equipment in places with fire or damp.
- Do not install the equipment in a sealed, poorly ventilated location without fire protection measures and difficult access for firefighters.
- The equipment is hot when it is running. If the equipment is installed indoors, please ensure good indoor ventilation and avoid significant indoor temperature rise by 3 °C while the equipment is running. Otherwise, the equipment will be derated.
- Do not install the equipment in mobile scenarios such as RVS, cruise ships, and trains.
- You are advised to install the equipment in a location where you can easily access, install, operate, maintain it, and view the indicator status.
- The recommended length for the AC cable between the inverter and the upstream transformer should be  $\leq 600$  meters. If the length exceeds 600 meters, it may affect the parallel operation of the inverters. Please contact Sigenergy for further advice.

## Mounting surface

- Do not install the equipment on a flammable installation base.
- The installation base should meet the load-bearing requirement. Solid brick-concrete structures, concrete walls are recommended.
- The surface of the installation base must be smooth and the installation area must meet the installation space requirements.
- No water or electricity is routed inside the installation base to prevent drilling hazards during equipment installation.





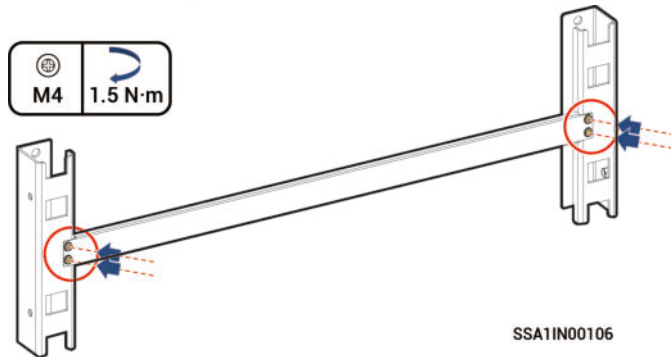
## 4 Installation

### 4.1 Wall Mounting

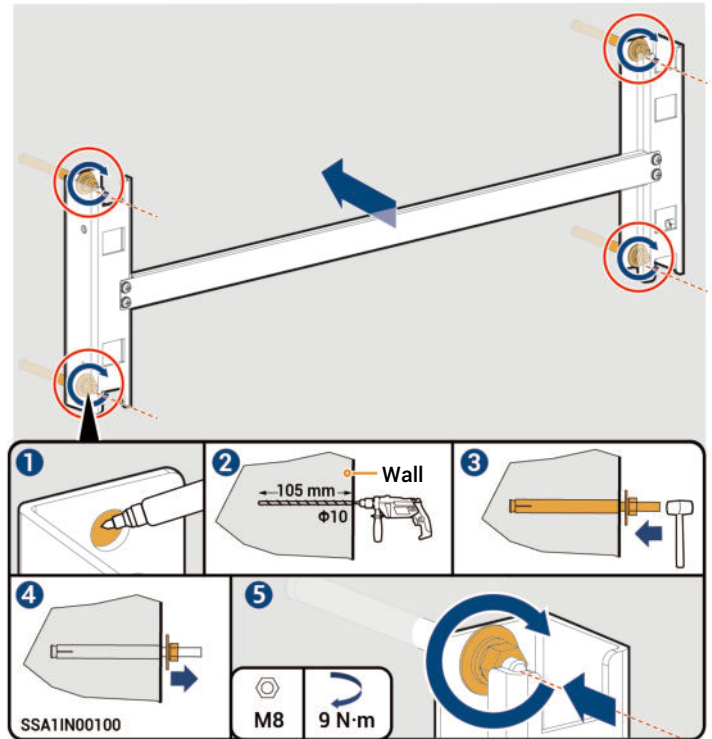
#### Tips

- Keep the inverter balanced while handling to avoid personal injury.
- No load is allowed on the ports and terminals at the bottom of the inverter. Do not touch the ports and terminals directly with the ground or other supports.
- Put foam or cardboard under the inverter before placing the inverter on the ground to avoid damage to the casing.
- Lift the inverter and move it to the installation site instead of dragging it.

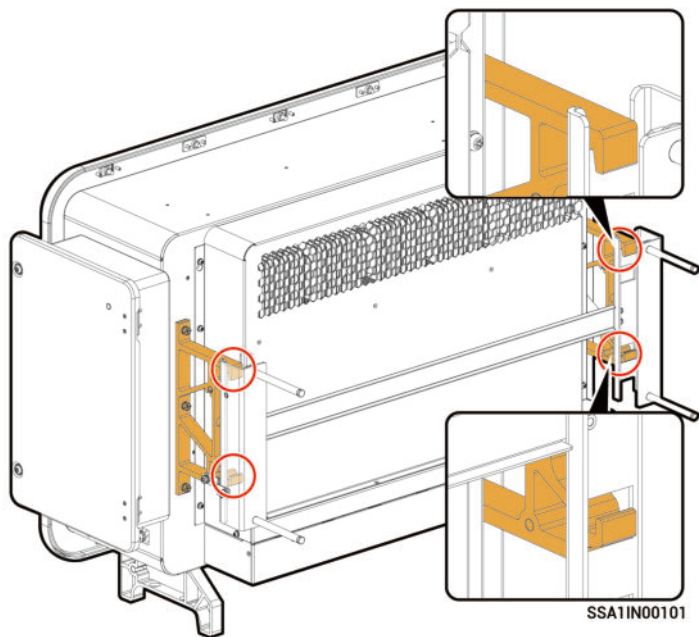
1



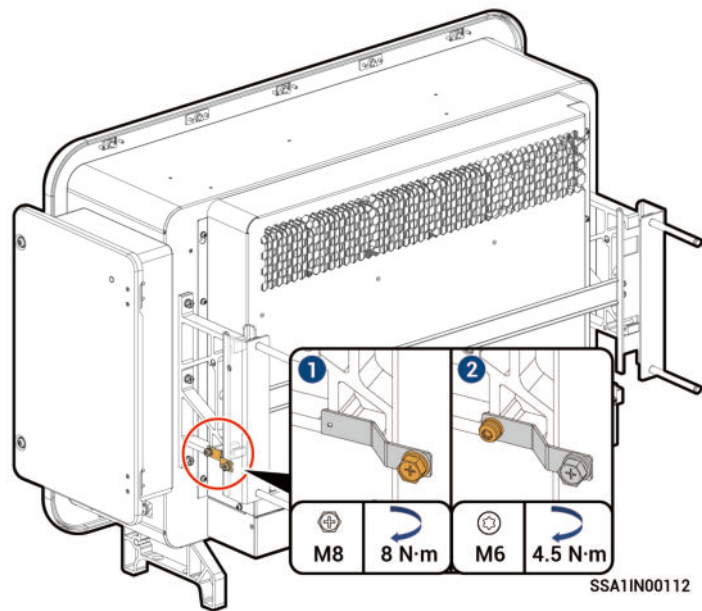
2



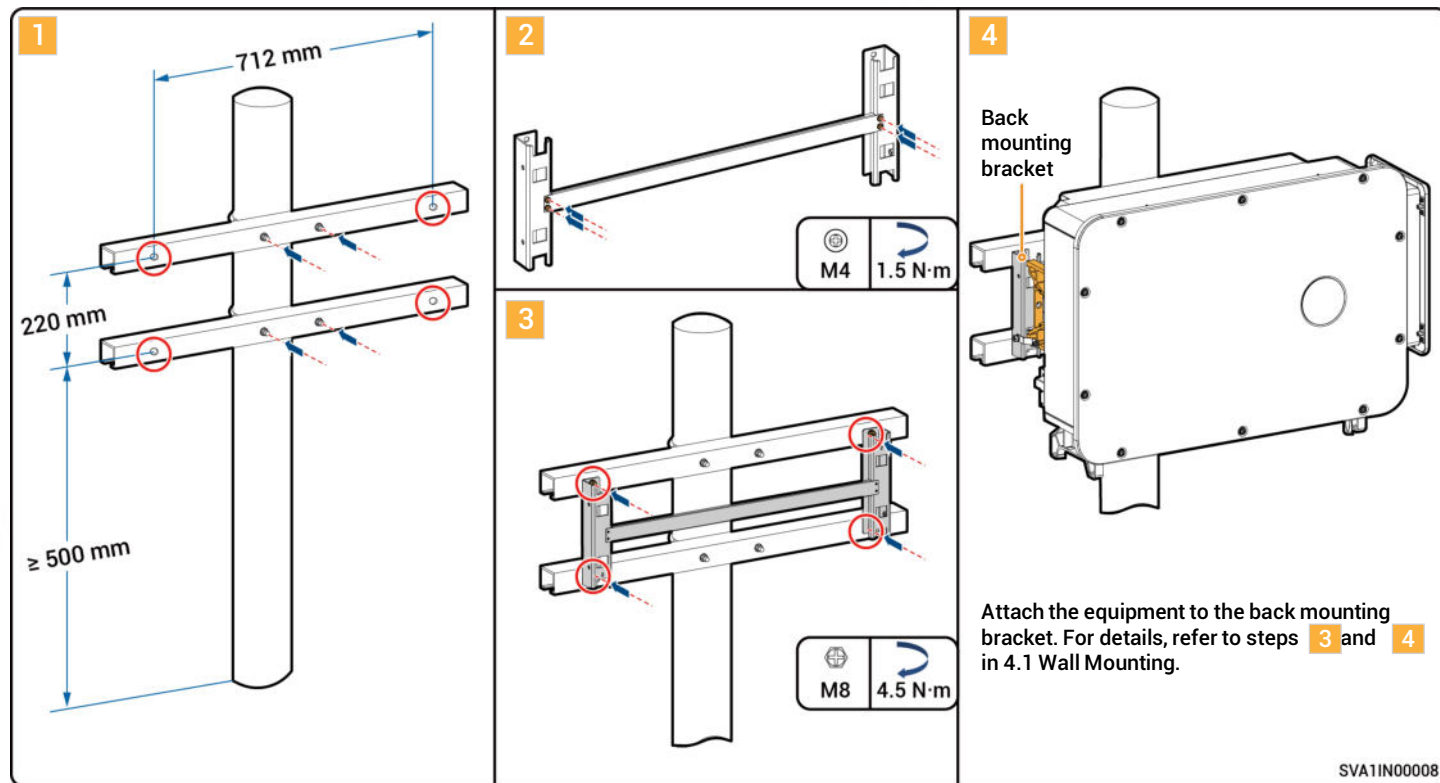
3



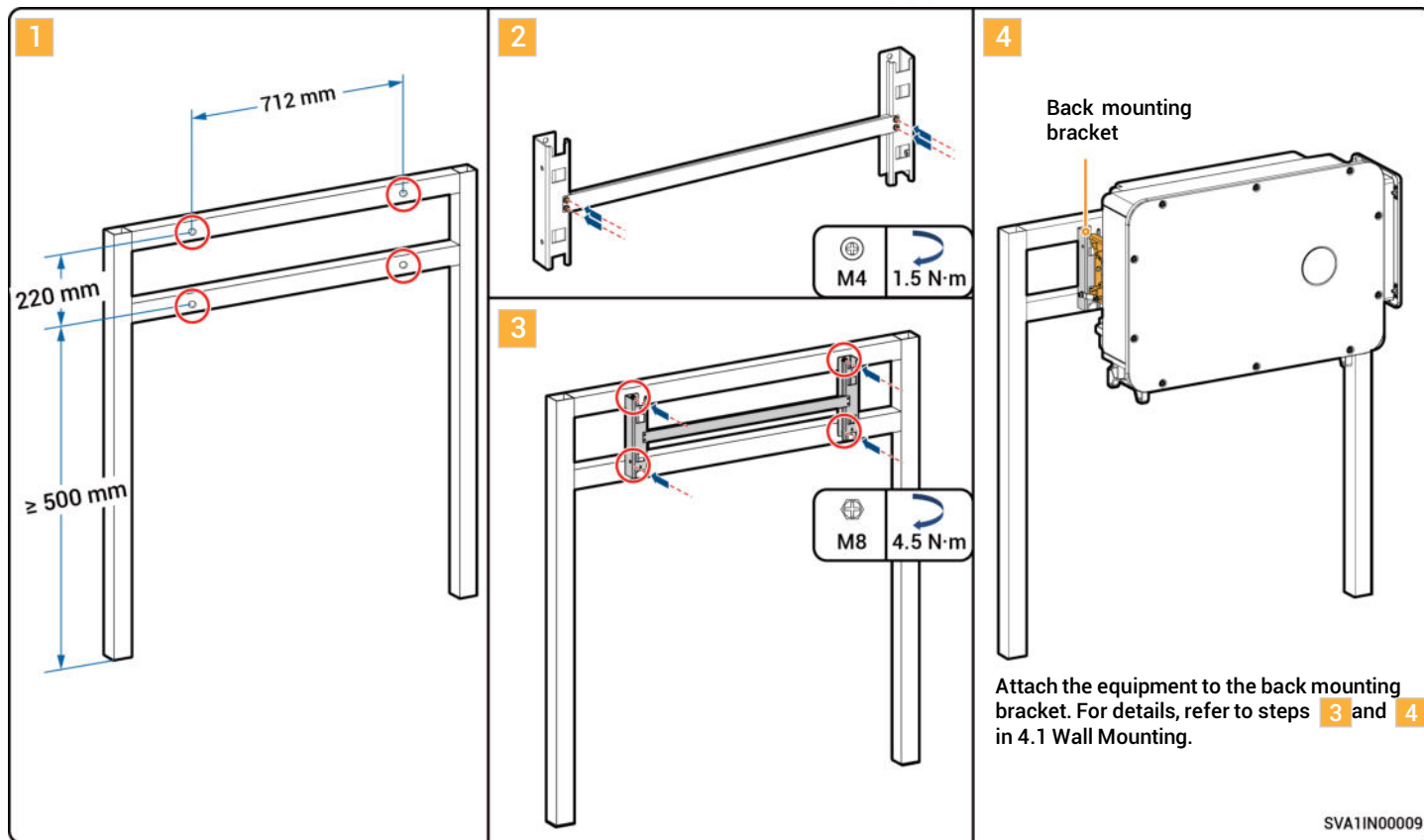
4



## 4.2 Pole-clamp mounting



### 4.3 Support mounting

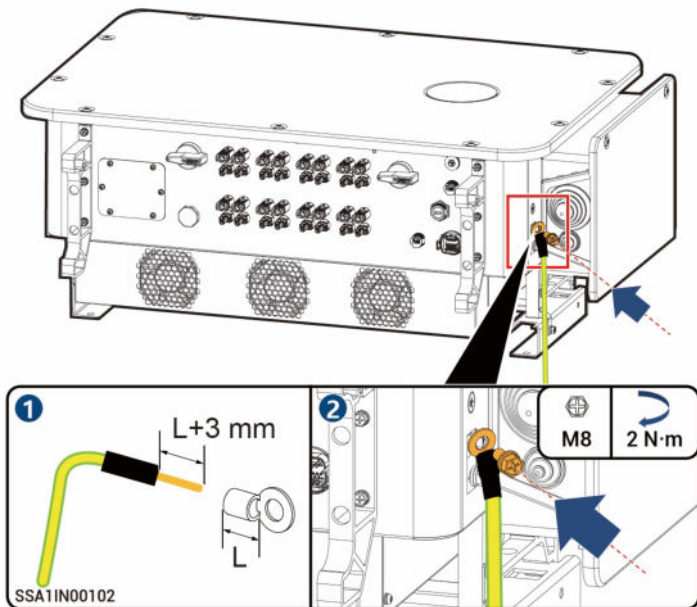


## 5 Cable Connection and Component Installation

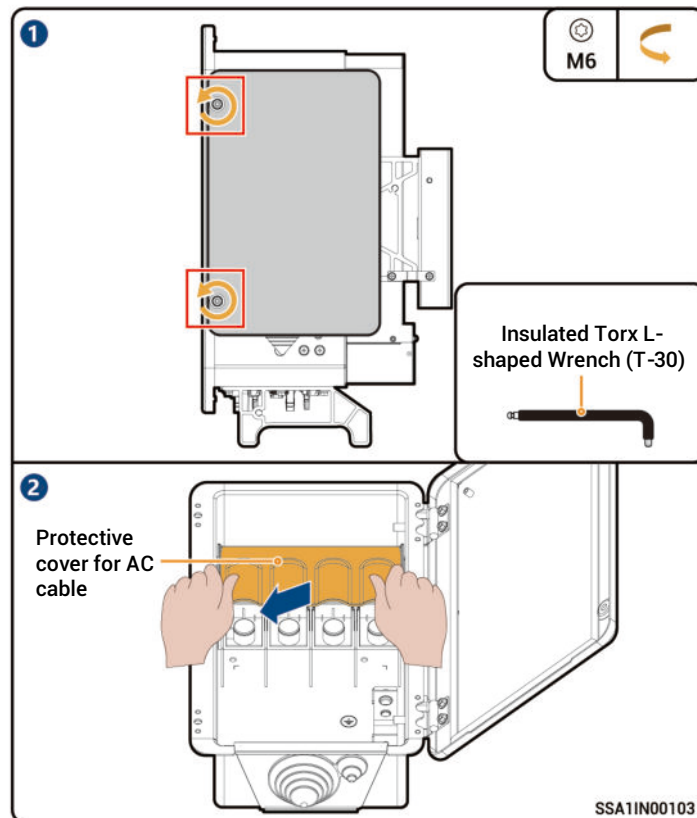
### Danger

- Before connecting cables, ensure that DC SWITCH is in the OFF state, and the front switch of the AC line is off.
- Do not perform operations on the equipment with power on. Before operation, please make sure all power supplies to the equipment have been disconnected, including but not limited to the grid side, inverter and diesel generator power switches.

### 5.1 Protective Ground Cable Connection



### 5.2 Removing AC Protective Door



## 5.3 Multi-core AC output Cable Connection

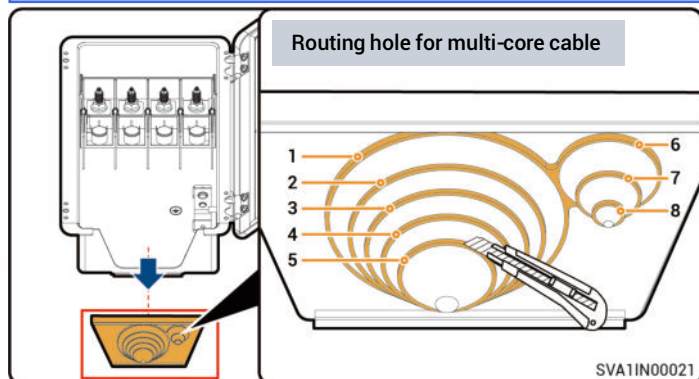
### Tips

This article takes five-core wire as an example to introduce the wiring steps. The wiring methods of three-core wire and four-core wire are the same as those of five-core wire.

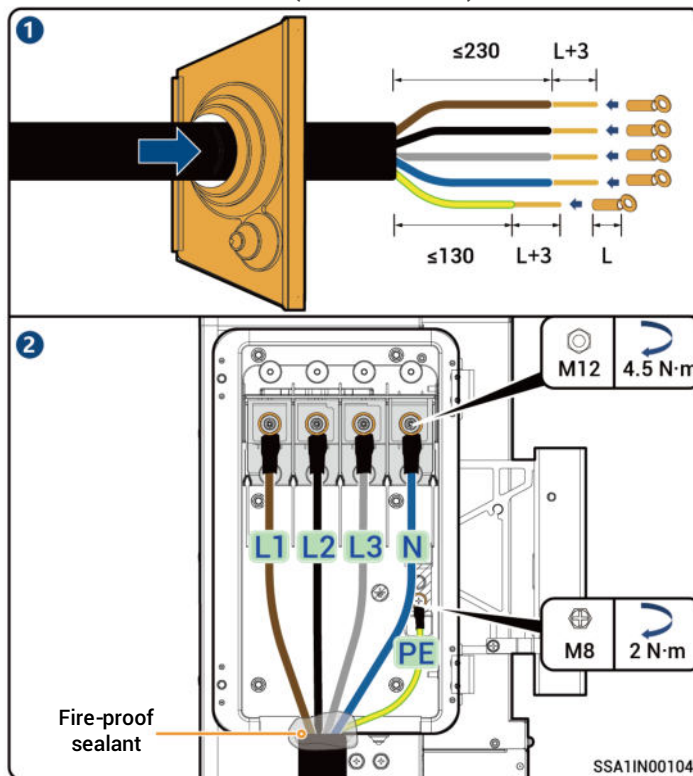
### 5.3.1 Requirements for routing holes

#### ! Caution

- Cut a routing hole of the appropriate size based on the cable diameter.
- Do not cut reserved routing holes to avoid the effect on ingress protection.
- Apply fire-proof sealant if the seal is damaged or sealing failure occurs after cables are routed.



### 5.3.1 Cable Connection (five-core wire)



## 5.4 Single core AC output Cable Connection

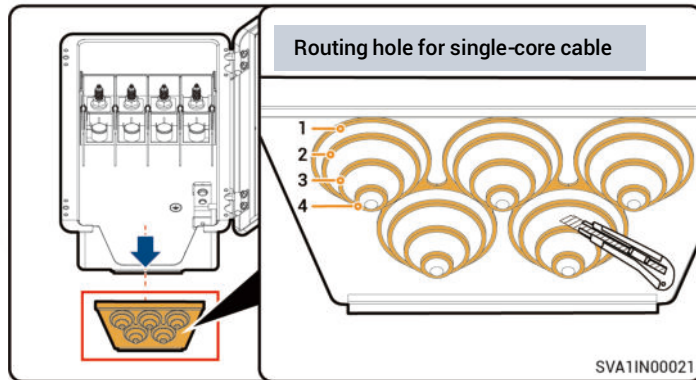
### Tips

This article takes five-wire as an example to introduce the wiring steps. The wiring methods of three-wire and four-wire are the same as those of five-wire.

#### 5.4.1 Requirements for routing holes

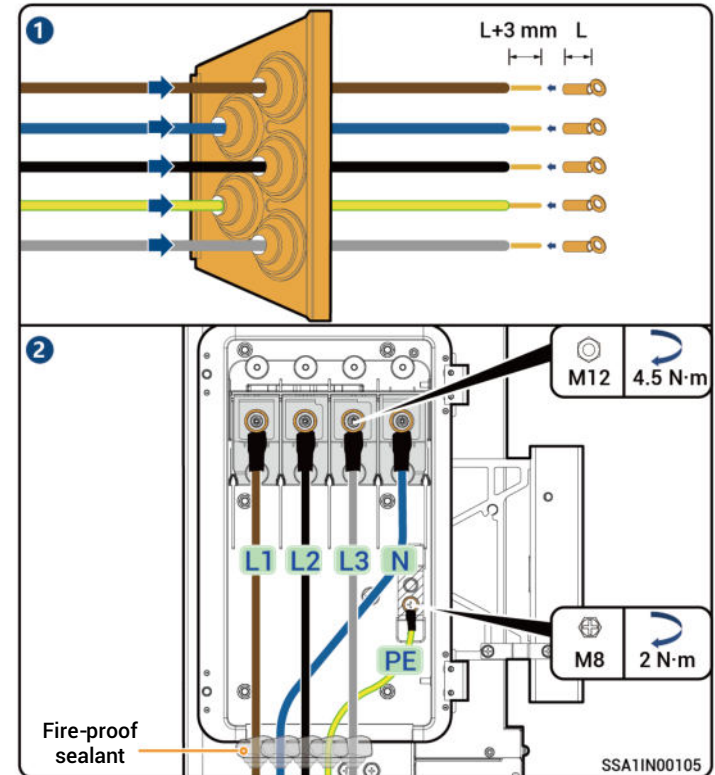
##### ⚠ Caution

- Cut a routing hole of the appropriate size based on the cable diameter.
- Do not cut reserved routing holes to avoid the effect on ingress protection.
- Apply fire-proof sealant if the seal is damaged or sealing failure occurs after cables are routed.

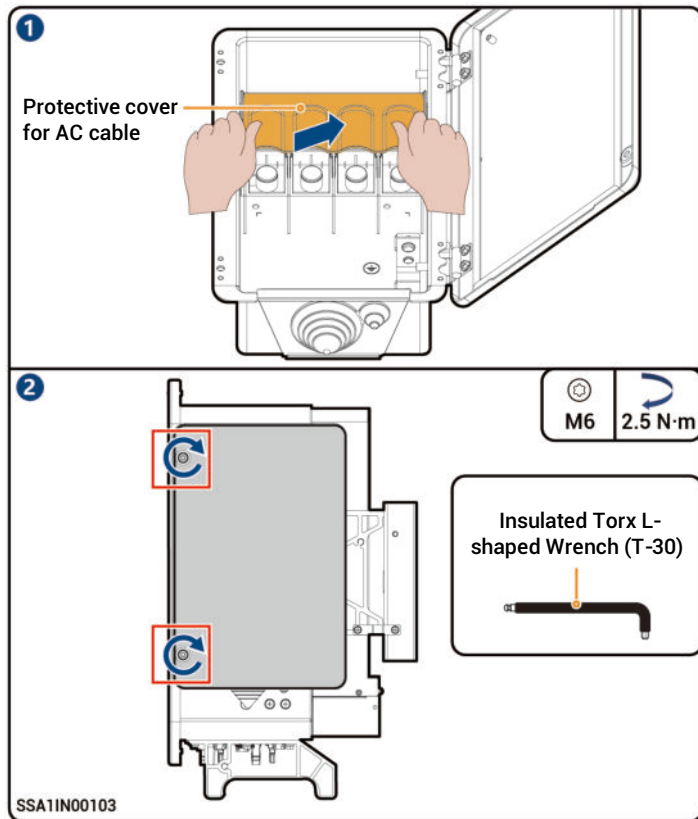


S/N	Diameter	Cable OD
1	36.5 mm	-
2	30 mm	32-36 mm
3	20 mm	14-15 mm
4	10 mm	32-36 mm

#### 5.4.2 Cable Connection (five-wire)



## 5.5 Installing AC Protective Door

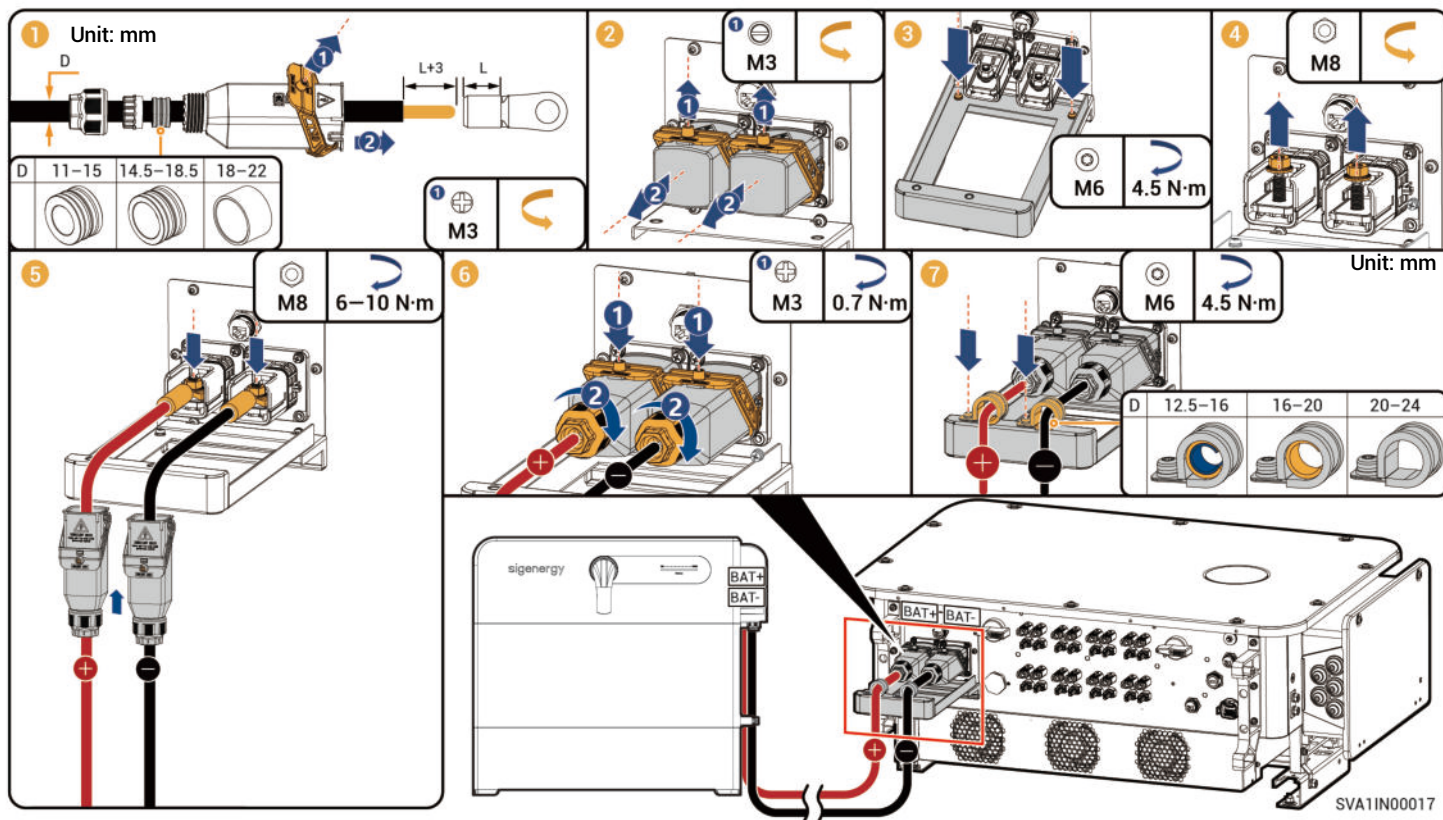




## 5.6 (Optional) PCS Power Cable Connection

### Tips

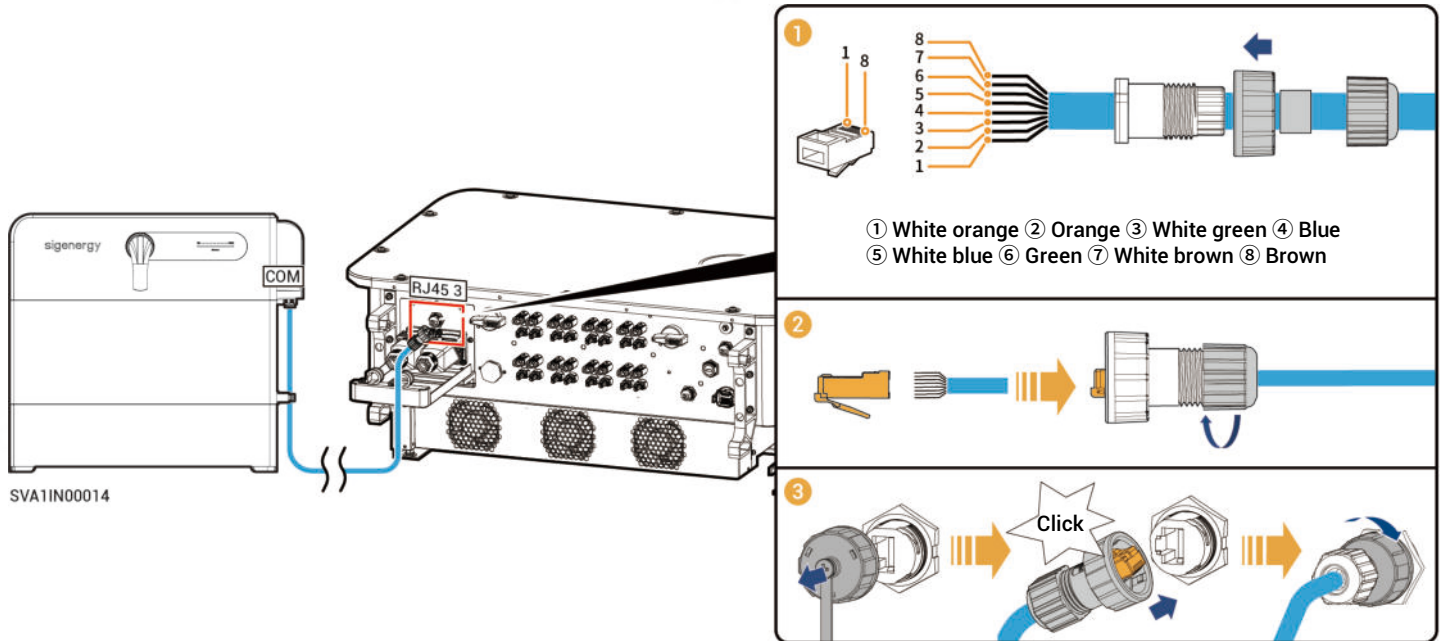
- If the inverter has an energy storage port and SigenStack is configured, this step is required. If SigenStack is not configured, this step can be skipped.
- For detailed operations on SigenStack, please refer to the corresponding model's Installation Guide.



## 5.7 (Optional) PCS Signal Cable Connection

### Tips

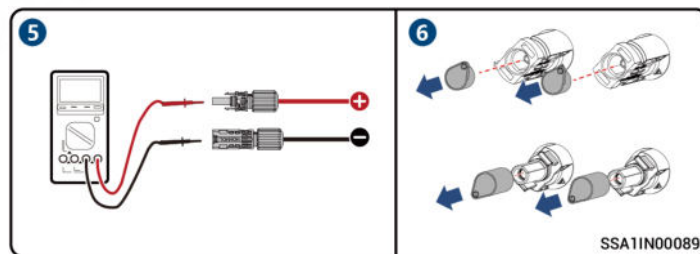
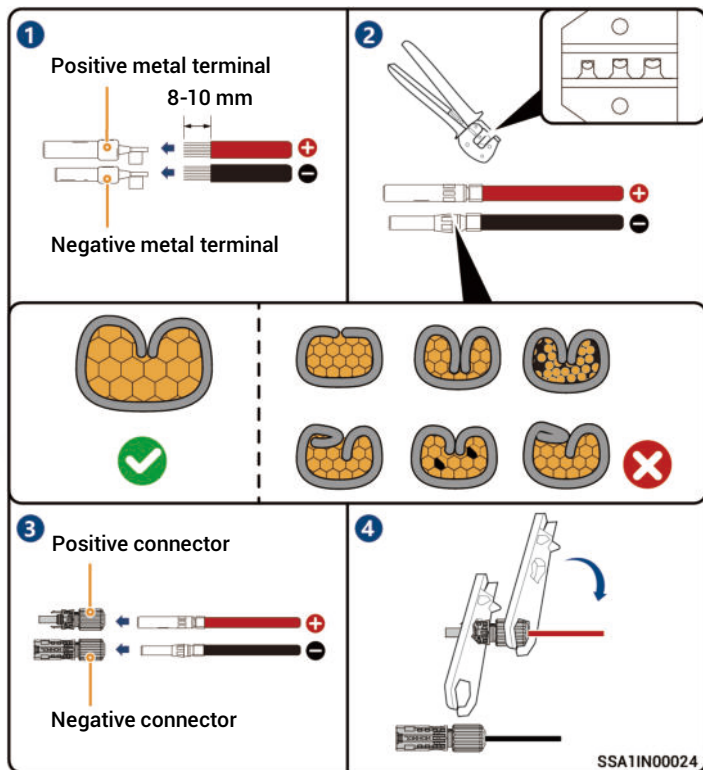
- If the inverter has an energy storage port and SigenStack is configured, this step is required. If SigenStack is not configured, this step can be skipped.
- For detailed operations on SigenStack, please refer to the corresponding model's Installation Guide.



## 5.8 DC input cable Connection

### Tips

- Before wiring, make sure that the circuit breaker on the PV side is not energized.
- Please use the PV terminals supplied with the packing box. The use of terminals from other brands is not allowed, as mixing them poses risks.
- The DC cable is connected to the inverter from the PV string.

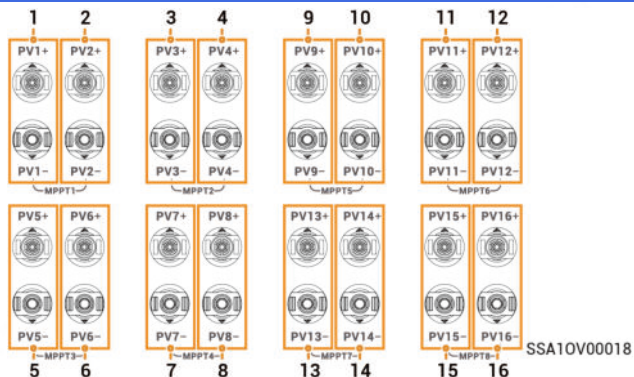


### ⚠ Caution

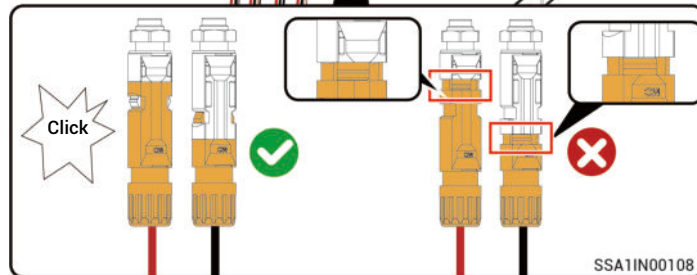
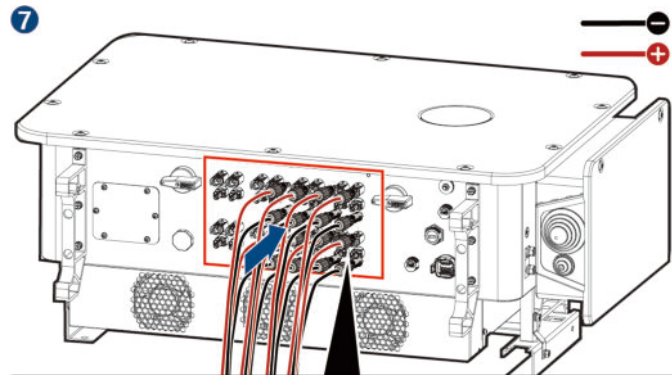
If the voltage is negative, the polarity is incorrect. Rectify the fault in time.

## ⚠ Caution

Please select the PV string according to the table.



Product power range	PV string formation configuration
50 kW	Connected with 8 channels of strings (9, 10, 11, 12, 13, 14, 15, 16)
60 kW	Connected with 10 channels of strings (7, 8, 9, 10, 11, 12, 13, 14, 15, 16)
75/80 kW	Connected with 12 channels of strings (5, 6, 7, 8, 9, 10, 11, 12, 13, 14, 15, 16)
99.9/100/110/125 kW	Connected with 16 channels of strings (1, 2, 3, 4, 5, 6, 7, 8, 9, 10, 11, 12, 13, 14, 15, 16)

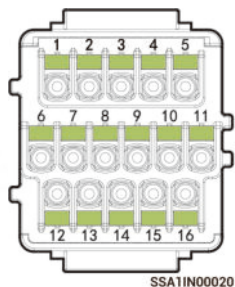


## 5.9 Signal cable Connection

### Tips

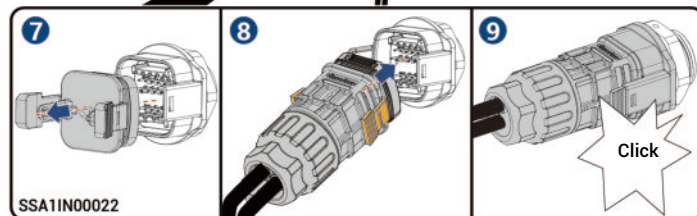
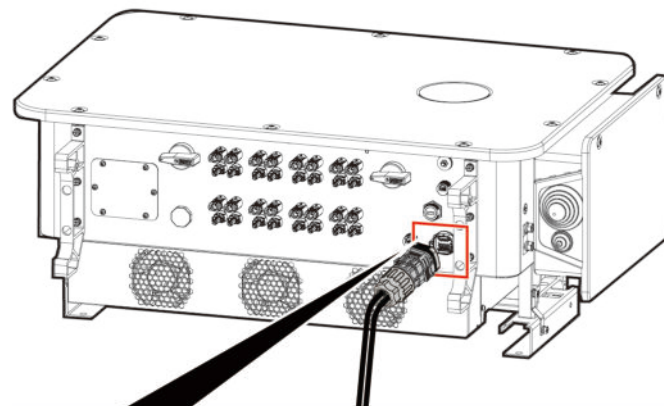
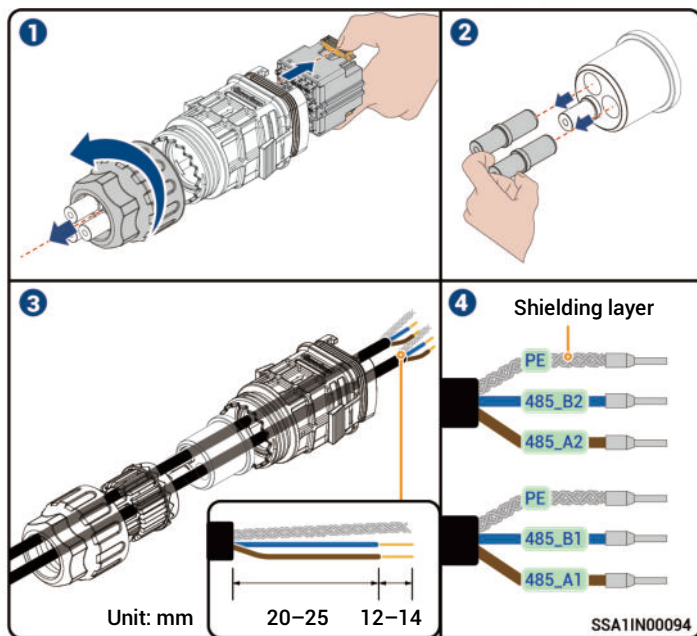
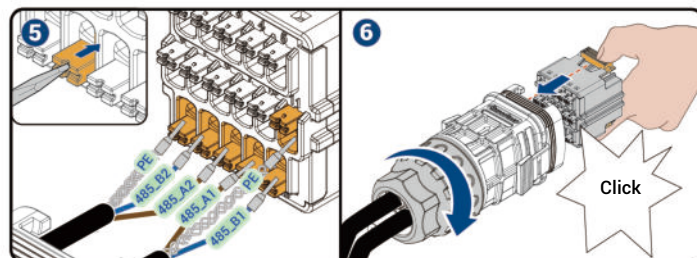
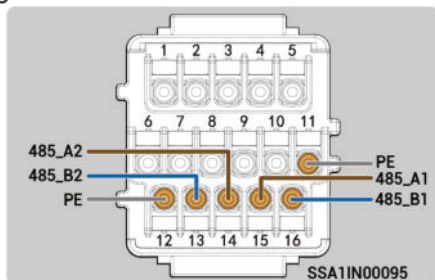
- The power sensor needs to be purchased from our company's official channels.
- The appearance and specific wiring of the power sensor can be found in the instruction manual delivered with the case.

### 5.9.1 COM terminal introduction

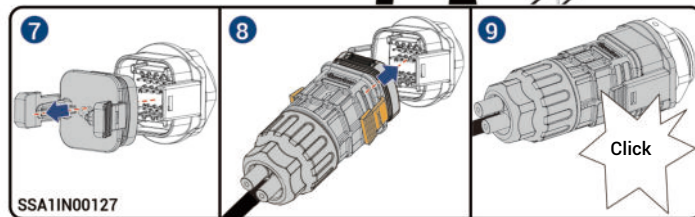
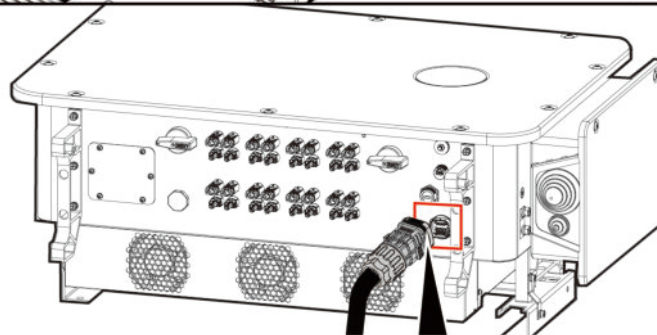
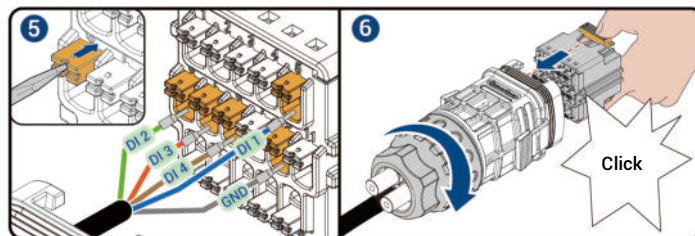
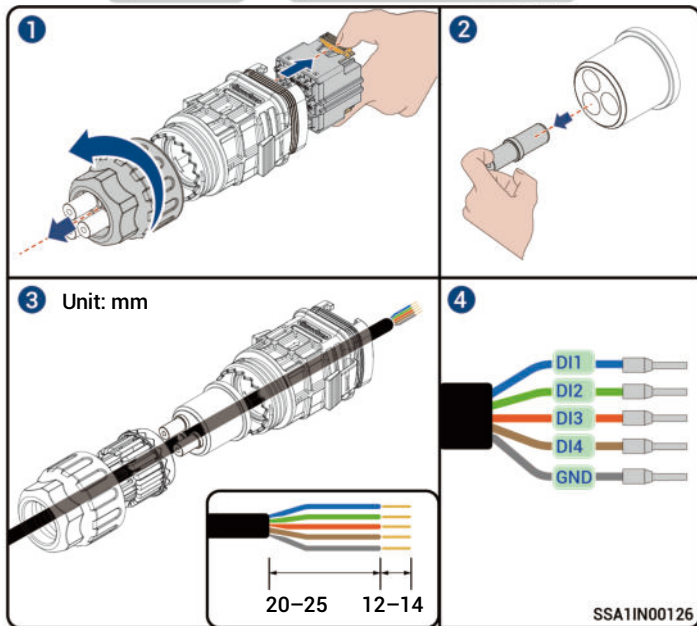
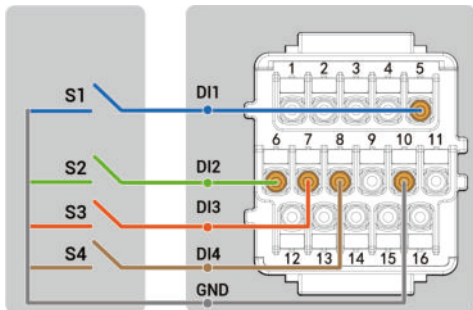


Function description	Pin Definition		Pin Number	Sigen Sensor TP-CT300-DH (SDM630MCT 40mA/300A)	Sigen Sensor TP-CT600-DH (SDM630MCT V2/600A)	Sigen Sensor TPX-CH (DTSU666)
(Reserved) DO1, connected to third party intelligent electric equipment, such as switch control and heat pump	DO1-COM	Dry contact 1-Common	1	-	-	-
	DO1-NO	Dry contact 1-Normal Open	2	-	-	-
RS485-3, Reserved	RS485A1-2	RS485 signal 3_A+	3	-	-	-
	RS485B1-2	RS485 signal 3_B-	4	-	-	-
For power scheduling, such as DRM and Ripple control Receiver	DI1	Digital input 1	5	-	-	-
	DI2	Digital input 2	6	-	-	-
	DI3	Digital input 3	7	-	-	-
	DI4	Digital input 4	8	-	-	-
-	GND	Signal GND	10	-	-	-
Used to connect the rapid shutdown DI interface as the signal cable port for the NS protection device	DI5	Digital input 5	9	-	-	-
RS485-2, Used to access the grid side power sensor	PE	PE signal shielding ground	12	-	-	-
	RS485B2	RS485 signal 2_B-	13	13	13	25
	RS485A2	RS485 signal 2_A+	14	14	14	24
RS485-1, Custom port. Used to connect Meteorological Station, a third-party EMS controller and so on	PE	PE signal shielding ground	11	-	-	-
	RS485A1-1	RS485 signal 1_A+	15	-	-	-
	RS485B1-1	RS485 signal 1_B-	16	-	-	-

## 5.9.2 RS485 Signal Cable Connection



### 5.9.3 (Optional) Grid Scheduling Signal Cable Connection



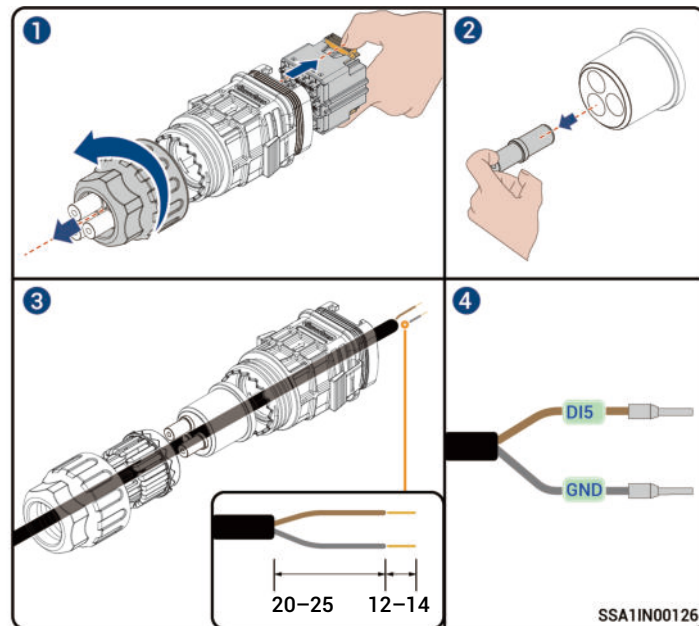
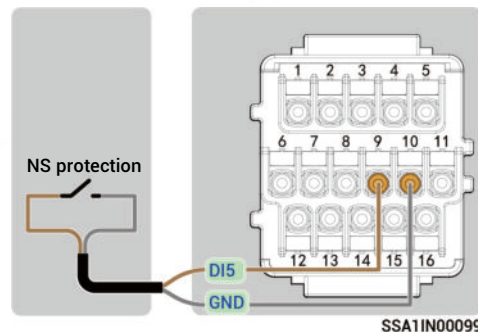
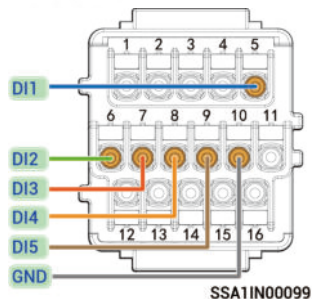
### Tips

After creating new systems, you can use the mySigen App to set the parameters for Active Dry Contact scheduling or Reactive Dry Contact scheduling. For specific operation steps, please refer to mySigen App Installer Manual.

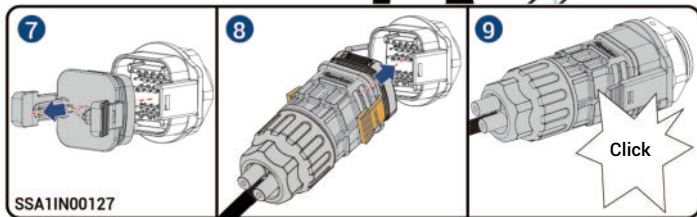
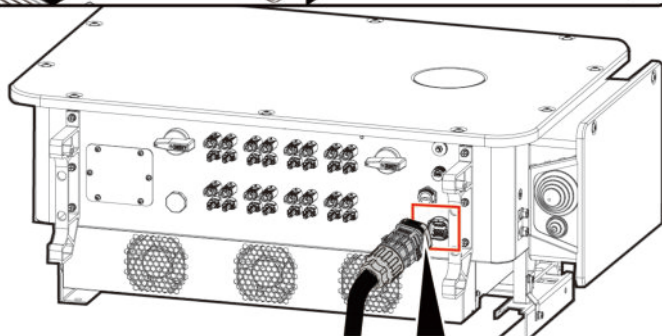
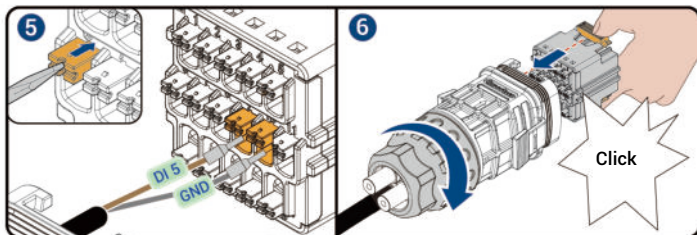
## 5.9.4 (Optional) NS Protection Signal Cable Connection

### Tips

- If the grid scheduling device is connected, only DI5 and GND can be connected to the NS protection device.
- If no grid scheduling device is connected, DI1, DI2, DI3, DI4, DI5, and GND can be connected to the NS protection device.
- DI1, DI2, DI3, DI4, and GND use the same method to connect the NS protection device. This section uses DI5 and GND as an example.
- When the NS protection switch is turned on and, the NS protection function is triggered, the inverter automatically shuts down.
- When the NS protection switch is turned off, and the NS protection function is not enabled, the inverter must be manually shut down.
- The rapid shutdown device and the NS protection device use the same DI and GND. Either one of them can be selected.







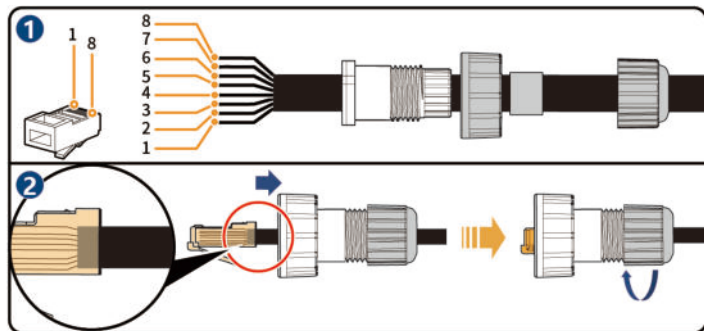
## Tips

After creating new systems, you can use mySigen App to set NS protection parameters. Please refer to mySigen App Installer Manual for detailed instructions.

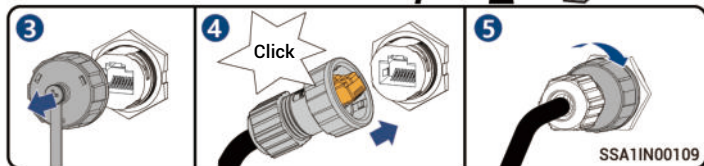
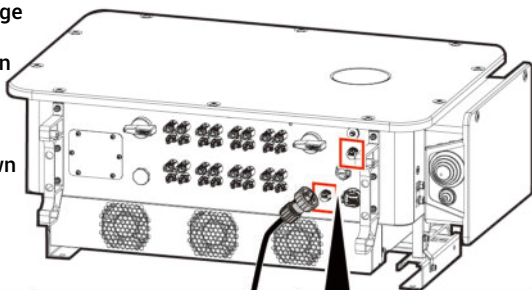
## 5.10 RJ45 Cable Connection

### Tips

- RJ45 cables are EIA/TIA 568B standard cables.
- Two RJ45 Ethernet ports, one is connected to the router, and the other is connected to other equipment.(e.g., inverter etc.)



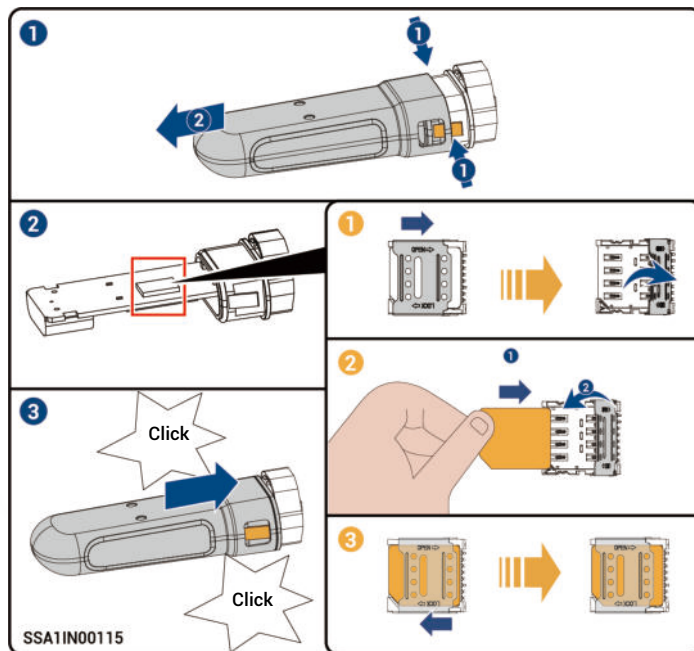
- ① White orange
- ② Orange
- ③ White green
- ④ Blue
- ⑤ White blue
- ⑥ Green
- ⑦ White brown
- ⑧ Brown



## 5.11 (Optional) Replacing SIM card of Sigen CommMod

### Tips

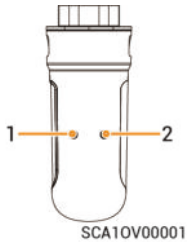
- When free 4G traffic of CommMod runs out, users must replace an SIM card.
- Please replace the SIM card in Sigen CommMod with a SIM card of your country or region. Recommended data plan:  $\geq 25 \text{ MB/month} \times N$ . (Wherein, N is the number of inverters)
- If you hear only one click sound when assembling Sigen CommMod in Step ③, complete the assembly on the other side.



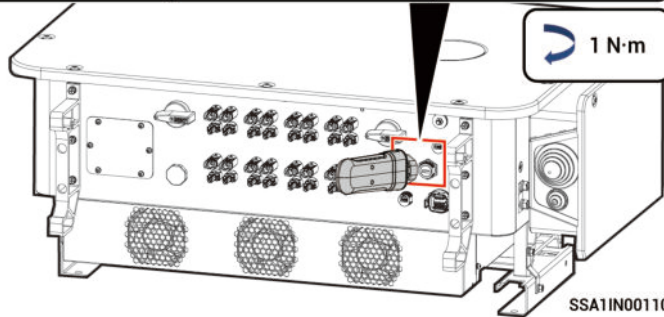
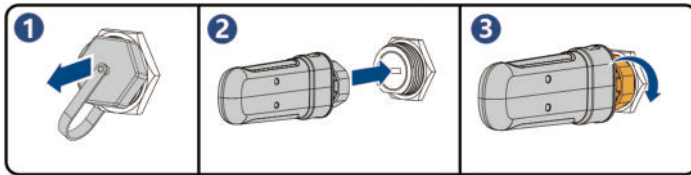
## 5.12 Sigen CommMod Installation

### Tips

Sigen CommMod is required for 4G communication.



S/N	Indicator	Description
1	Power indicator	-
2	Network state indicator	<ul style="list-style-type: none"> <li>Slow flashing(200 ms on/1800 ms off): The network is being connected</li> <li>Slow flashing(1800 ms on/200 ms off): Standby</li> <li>Quick flashing(125 ms on/125 ms off): Data is being transferred</li> </ul>

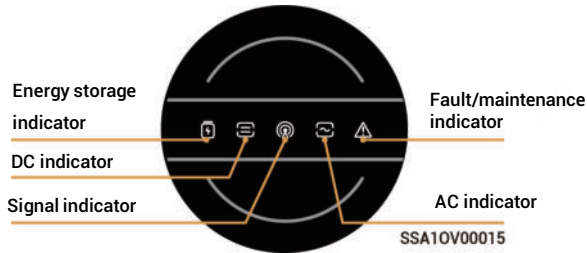


## 6 Post-installation Check

S/N	Check Item
1	The equipment has been securely installed.
2	Ground cables, DC cables, signal cables, etc. are installed accurately without leftovers.
3	The cable fastening screws or terminals are properly installed.
4	There are no sharp spikes or acute angles at the cut point of the cable tie.
5	DC SWICH is in the OFF state.
6	Ports that are not in use have waterproof covers or plugs installed.
7	There is no construction left inside or outside the equipment.

## 7 Equipment Power-On

1. Turn on the upstream switch of equipment.
2. Rotate DC SWITCH to ON.
3. Observe the indicators on the front side of the inverter to learn about the equipment status.

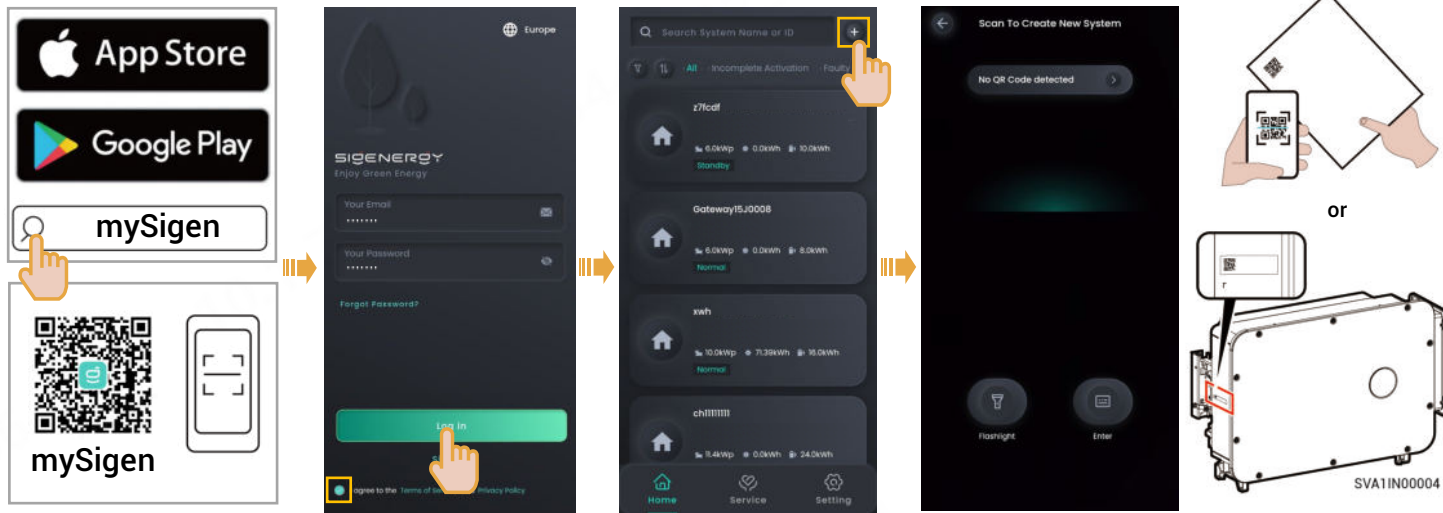


Indicator	Color	State	Description
	Grey	-	All SigenStacks lie dormant.
	Breathing blink (Green)	Breathing blink	All SigenStacks are connected but not running.
	Flash (Green)	Flash	SigenStack is charging.
	Flash (Blue)	Flash	SigenStack is discharging.
	Always on (Red)	Always on	Some SigenStacks are faulty.
	Grey	-	The DC side is not connected.
	Breathing blink (Green)	Breathing blink	The DC side is connected but not running.
	Always on (Green)	Always on	The DC side is running.
	Flash (Orange)	Flash	The DC side is faulty.
	Always on (Red)	Always on	The inverter is faulty.

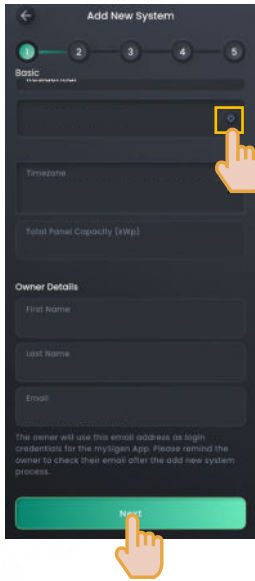
Indicator	Color	State	Description
	Grey	-	The AC side is not connected.
	Breathing blink (Green)	Breathing blink	The AC side is connected but not running.
	Always on (Green)	Always on	Grid-connected operation.
	Always on (Blue)	Always on	Off-grid operation.
	Flash (Blue)	Flash	Off-grid overload operation.
	Flash (Orange)	Flash	The AC side is faulty.
	Always on (Red)	Always on	The inverter is faulty.
	Grey	-	The management system is not connected.
	Flash (Green)	Flash	Connected to local App.
	Always on (Green)	Always on	Connected to the management system using an FE or WLAN.
	Always on (Blue)	Always on	Connected to the management system over 4G.
	Flash (Blue)	Flash	Insufficient traffic for Sigen CommMod.
	Grey	-	No alarms and no local maintenance operations.
	Flash (Green)	Flash	Local maintenance in progress or shutdown using commands.

## 8 Download and create new system for mySigen APP

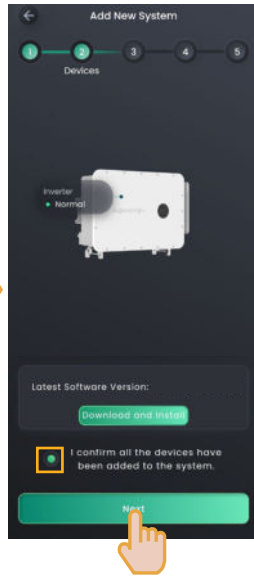
- 1 Please enter the "Partner" → "Register Now" at the Company's official website (<https://www.sigenergy.com>), and complete the account registration based on facts.
- 2 Download the mySigen App and create new system for the device.



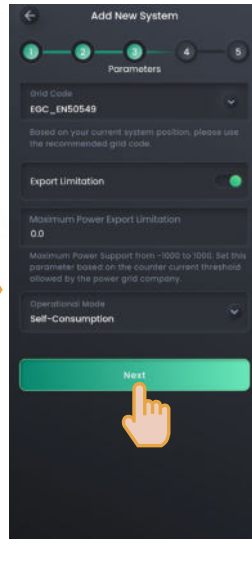
Scan the SN code label on the accompanying box material. If the SN is lost, scan the SN on the side of the inverter.



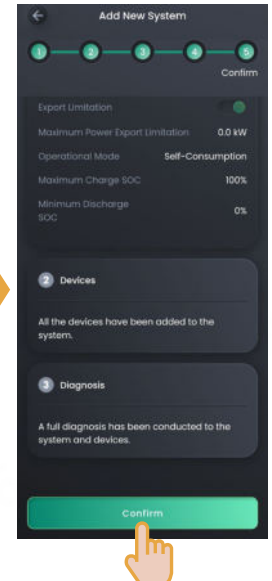
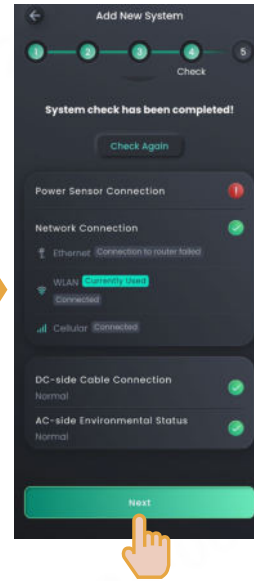
Manually locate the address, set the Timezone, and enter Owner Details.



Perform upgrades where necessary.



You can manually set and modify some function parameters of the power station.



**3** Upon completion of the new system creation, the installer shall inform the owner to check its "sigencloud" e-mail within 24 hours and proceed with activating its account.

**Sigenergy Technology Co., Ltd.**



Website	LinkedIn	YouTube
---------	----------	---------

**[www.sigenergy.com](http://www.sigenergy.com)**



**Copyright © Sigenergy Technology Co., Ltd. 2024. All rights reserved.**

Description in this document may contain predictive statements regarding financial and operating results, product portfolio, new technology, configurations and features of product. Several factors could cause difference between actual results and those expressed or implied in the predictive statements. Therefore, description in this document is provided for reference purpose only and constitutes neither an offer nor an acceptance. Sigenergy Technology Co., Ltd. may change the information at any time without notice.